



## **DEW (Direct Energy Weapons) 11/04/2017**

Targeted Individuals Association – Author: Gary Owens

Mr Gary Owens wrote the collated article and broke down the technology, we used every available source over the internet to collate and compile every piece of information out there that was needed to break down the technology, we have listed the sources of information at the bottom, if anyone's been left out let us know and we will amend.

### **DEW – Direct Energy Weapons**

**The key to understanding DEW is not looking at the amazing world destroying machines they are building. Its looking at how it started.**

All the governments around the world and their police, security services and prisons have DEW available to them. Its dangerous long term radiation effects have been covered up and lied about since the 1950s. We are now living in a cancer explosion due to microwave radiation where one in 3 people get cancer. Everyone I have spoken to in the last few years all believe its down to the radiation build up relating to microwave.

**[https://en.wikipedia.org/wiki/Directed-energy\\_weapon](https://en.wikipedia.org/wiki/Directed-energy_weapon)**

### **So How Did We Get DEW?**

Its easier to let Dr Barrie Trower explain, here's what he states:

-----

Microwave Frequency Warfare: Barrie Trower

In the very early 1960's I trained with the government microwave warfare establishment. I looked at all aspects of microwave warfare and when I finished my time in the military because I had a lot of expertise in the microwave field I was asked if I would carry on with this research. We were in a new Cold War and that is why countries were developing this. I mean really developing this. And this is why all the microwave transmitters are going up everywhere because somebody, if they wanted to, could use them for other effects. The system is up and running.

Years ago our government said to its scientists when it comes to microwaves you will only talk about things to do with heat, and that is it. So they won't even discuss anything else. They will deny anything that doesn't have anything to do with heat. They even deny all of their 40 years of research leading up to this. They have said that this can cause cancer and all the damage associated with microwaves, they say publicly it cant. They say "We are only looking at heat and heat is all that matters".

So for the last 40 years the English government has been lying to the people. The American, Canadian and Australians, have been lying too. They have been lying to protect industry, to protect their profits, and to protect themselves from lawsuits.



World Health  
Organization

So they are really just liars and it is provable, sanctioned by the World Health Organization, without a shadow of a doubt. It is the same people sit on the ICNAP certificate, they sit on our governments health protection agencies and sit on the World Health Organization its the same people, who decides who gets to find out any knowledge.

There are probably no more than 20 of them. But, yes, they are going to, in my opinion, commit the worst genocide this planet has ever known, not just people, but animals, plants. They are probably going to cause more destruction than a global war, and in several hundred years time, people will look back, whoever survives, and look at what we tried to do to stop them.

[www.targeted-individuals.co.uk/dew\\_microwave\\_warfare\\_barrie\\_trower.pdf](http://www.targeted-individuals.co.uk/dew_microwave_warfare_barrie_trower.pdf)

-----  
WOW, Barrie wrote this some time ago but its only just starting to make sense re where the governments are thinking and going with this technology now its rolled out!

So what Barrie is saying is that the same people sit on the ICNAP certificate, which is related to radiation poisoning and nuclear physics, appoint all the top people in Microwave Radiation technology and force them not to say anything about the harmful effects of the radiation.

Of course now we know its dangerous and there are many movements all over the world to stop it completely. But it is clear the governments are covering it up. I was also told by MI6 Tech guys that it was safe to use microwave as a point to point dish data coms, but its not safe at all! Radiation builds up in the body of the Targeted Individual, its attempted murder by the state against its citizens, its exactly that, and the TIA are filing conspiracy to murder and attempted murder charges against all governments and security services in the coming court cases.

As a TI we already know its being used to Target people for no reason other than an experiment. And, that anyone who falls out with the people involved get targeted, this is pure Nazism, no other conclusion.

So we went from small hand guns like I have shown images of below to huge building destroying monsters in a few years, then the parts that were previously not explored (because no one could talk about it) came into sharp focus. Dr Barrie Trower went on to develop the Microwave Auditory Effect with MI6 (read Voice to Skull Report on the TIA Website [www.targeted-individuals.co.uk/v2k.html](http://www.targeted-individuals.co.uk/v2k.html) ). Barrie used this device to listen to the thoughts of soviet and other spies while de briefing them during defect cases etc.

So this is the same DEW weapon, taken and used for the V2k system. First Barrie would point it at the cochlea in the ear with the DEW, they could listen to the persons thoughts, as pre cursor thought are formed in the sound chamber and although no one can here them only you, with a DEW system running Microwave Audio Effect they can listen in!

Later there have been many developments, adding the Neurophone software to the system allows many other functions such as brain entrainment/mind control.

## **So where has the technology got to?**

Its a trillion pound business model, with no care for the trail of cancer victims in its wake.

The Military have done what they do, with every Government involved full speed ahead, and no looking back to see the damage forming up. There are so many applications for DEW that are not even under way yet, but the ones that are, are all related to suppression, victimisation and persecution, they are giant machines to murder people in there thousands as a focused weapon as in these images and details. So its clear that the Military and Security Services already use DEW and are worried about being attacked by it!

I think that it makes sense that if the Office of Naval Research Science & Technology are exploring Counter Direct Energy Weapons (CDEW) as outlined in this fact sheet below then they clearly have DEW and use it.

Download Official Naval Research Science & Technology PDF Facts Sheet called:  
Counter-Directed-Energy-Weapons-2012.pdf  
[http://www.targeted-individuals.co.uk/counter\\_directed\\_energy\\_weapons.pdf](http://www.targeted-individuals.co.uk/counter_directed_energy_weapons.pdf)

Download Official Naval Research Science & Technology PDF Facts Sheet called:  
Naval-Strategy.pdf  
[http://www.targeted-individuals.co.uk/naval\\_strategy.pdf](http://www.targeted-individuals.co.uk/naval_strategy.pdf)

What Dr Barrie Trower from MI6 is saying above, is, that a more sinister plot is under way that could involve a mass extinction event using phone mast microwave emitters linked to an entrained signal that can deliver a lethal microwave attack. People are talking about this type of event all over the world, this could be how its done!

A way to reduce the Earths population so the elite survive!

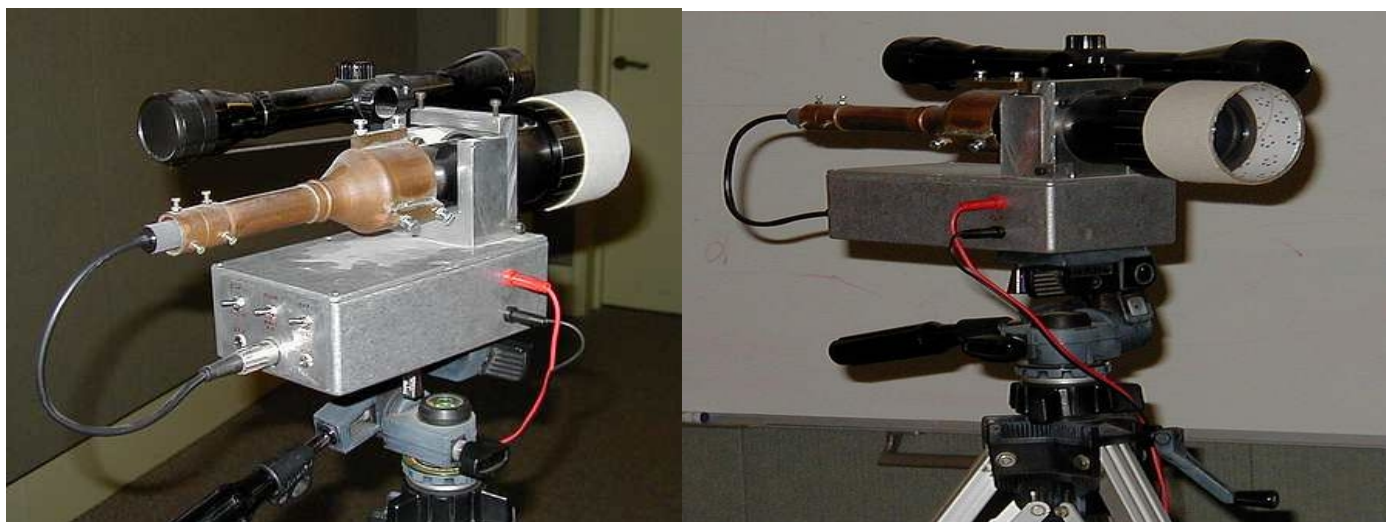


Massive Direct Energy Weapon, USA Navy Deployed.

It sounds crazy that someone would think like that, but its true, many scenarios have been looked at to reduce the worlds population. Its a world security issue. I think if they can take a weapon that's designed for warfare and use it on their own citizens like is being done in the Targeted Individuals cases, then they are capable of anything and should be taken down, removed completely for any authority. I am on with that job as I write!



### **So how does DEW work in local Gang Stalking?**



I am starting with the finished article because its simple to explain, you take a microwave Magnetron focus the beam as you would a laser (as its just part of the electromagnetic wavelength). It is no great mystery or incredible breakthrough, in fact these things are commercially available as telecommunications equipment.

Add to that that there are many clubs making these and you can see the ease of getting hold of them. You can use any focused beam of electro magnetic energy to create the same effect, however some pass through walls like radar and microwave, these types are used in Gang Stalking.

These images are what the DEW Weapons will look like, its just a focused beam of microwave, very dangerous and why its banned throughout Europe and most of the world.

I was actually present at the first ever (that I am aware of) declassified microwave technology disclosures, I was called in by Intelligence agents to a skyscraper in London where they had set



up communications between two towers, they were on another sky scraper about 1km away, I was asked if there were any applications of this technology for TCP/IP (internet data), clearly there was. Its because of my background in data technology that it has been easy for me to break down the phenomena, I was the first civilian to broadcast TCP/IP via satellite in the world.

They also use a larger version, a dish version to fire large amount of microwaves at you in pulses, it gives of a low hum, this is to cause drowsiness and sick feeling, prolonged use of this can effect your nervous system like all microwaves that's why they are banned in law and why we will be adding that medical area memory loss and nervous system issues, to the charges and damages in the lawsuits we are going to bring on the Nazi governments and security services supporting the filth behind Gang Stalking.



I have seen a dish bigger than this one being used on me, these dishes are beamed/riffle versions both give lethal radiation doses to the TI, it occurs over time, although they tell there helpers its harmless.



The issue here is that they are in effect issuing a lethal dose of microwave radiation that can cause cancers. Radiation builds up in the body over time causing the Ti to fall ill and die.

So, no big government conspiracy here, I could make this in a day with a budget and the web!

But for sure these are serious imprison-able offences, each attack is not only against the law because of microwave

emissions regulations but it is also wreck-less endangerment to life and attempted murder, just because you die slowly from microwave radiation poisoning and organ failure, does not mean they cant be charged with murder or attempted murder. This is something the TIA lawyers are looking at as a package of charges to bring against all Gang Stalkers. Including Grievous Bodily Harm, Anti Stalking laws and a myriad of other offences they commit.

Some of the weapons were known as non-lethal weapons. They use such weapons as extremely low frequency Elf electromagnetic weapons (which has been used in mind control), acoustics, harmonics (which have been used as a mind control technique), ultrasound, microwave audiograms, microwave pulsed, and radio frequency.

Another electromagnetic energy beam can be used to induce "considerable agitation and muscular activity" or "induce muscular weakness and lethargy" this weapon is know as Ultra High Frequency EM.



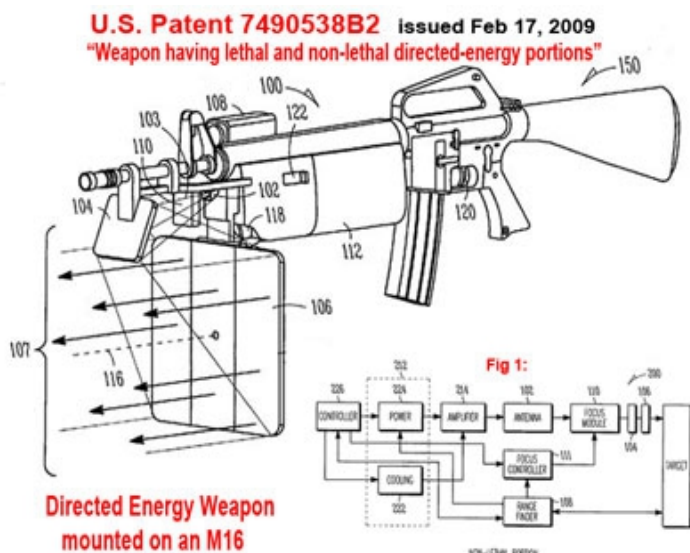
Psychological warfare tactics are being used against unsuspecting citizens to destroy their jobs, their families and their lives. The TIA will stop this with your backing.

### The value of DEW, Directed Energy Weapons to the Military & Business?

This report is available, on who is involved and how the DEW market is being divided up, its huge business worth billions, but it costs £1993 to buy! We dont have the funds if anyone can get a copy we would be grateful.

Here's an excerpt:

Overall world revenue for Directed Energy Weapons (DEW) will reach \$5.34bn in 2017, our work calculates. We predict strong revenue growth through to 2027.



# Directed Energy Weapons (DEW) Market Report 2017-2027

November 2016 Visiongain - 221 pages

## Report Details

Directed Energy Weapons (DEW) – our new study reveals trends, R&D progress, and predicted revenues.

What is the trajectory for the Directed Energy Weapons (DEW) market? If you are involved in DEW then you must read this brand new report. Visiongain's report shows you the potential revenues streams to 2027, assessing market data, technological trends, regional opportunities and business prospects.

## Discover How to Stay Ahead

Our 221 page report provides 253 tables, charts, and graphs to help illustrate the market space. Read on to discover the most lucrative areas in the industry and the future market prospects. Our new study lets you assess forecast sales at overall world market and regional level. You will see financial results, trends, opportunities, and revenue predictions. Much opportunity remains in this growing Directed Energy Weapons (DEW) market.

Forecasts from 2017-2027 and other analyses reveal the commercial prospects for Directed Energy Weapons (DEW)

- In addition to revenue forecasting to 2027, our new study provides you with recent results, growth rates, and market evaluation.
- You will find original analyses, with business outlooks and developments.
- Discover qualitative analyses (including SWOT/PEST analysis), product profiles and analysis of commercial developments.

## Discover sales predictions for the world DEW market and submarkets

Along with revenue prediction for the overall world Directed Energy Weapons (DEW) market you will find revenue forecasts to 2027 for the following submarkets:

- High Powered Microwave (HPM)
- High Powered Laser (HPL)

Our investigation discusses what stimulates and restrains DEW business. You will understand the dynamics of the defence industry and assess its potential future sales, discovering the critical factors likely to achieve success.

## What are the prospects for DEW in the leading regions and countries?

You will discover individual revenue forecasts for 9 leading national Directed Energy Weapons (DEW) market markets and RoW from 2017-2027: Each of the 8 leading national markets as well as the ROW are further segmented by the two submarkets for High Powered Microwave (HPM) and High Powered Laser (HPL)

- Australia
- Canada
- Germany
- India
- Israel
- Japan
- UK
- US

- ROW

**Table 5.25 Rest of the World (ROW) Directed Energy Weapons (DEW) Market by Submarkets Forecast 2017-2027 (US\$m, AGR %, CAGR %, Cumulative)**

Sales (US\$m)	2016	2017	2018	2019	2020	2021	2022	2023	2024	2025	2026	2027	2017-27
Microwave	495	514	535	558	584	612	643	676	712	751	794	841	7,220
AGR (%)	-	3.9	4.1	4.3	4.6	4.8	5.0	5.2	5.3	5.5	5.7	5.9	-
Laser	915	959	1,009	1,063	1,123	1,188	1,260	1,341	1,431	1,530	1,640	1,760	14,304
AGR (%)	-	4.8	5.2	5.4	5.6	5.8	6.1	6.4	6.7	6.9	7.2	7.3	-
<b>Total ROW Sales</b>	<b>1,410</b>	<b>1,473</b>	<b>1,544</b>	<b>1,621</b>	<b>1,707</b>	<b>1,800</b>	<b>1,903</b>	<b>2,017</b>	<b>2,143</b>	<b>2,281</b>	<b>2,434</b>	<b>2,601</b>	<b>21,524</b>
AGR (%)	-	4.5	4.8	5.0	5.3	5.4	5.7	6.0	6.2	6.4	6.7	6.9	-
CAGR 2017-22 (%)	5.3						2022-27	6.4					-
CAGR 2017-27 (%)	5.9												-

There will be growth in established Directed Energy Weapons (DEW) markets and in developing countries. Our analysis shows that the US, in particular, will continue to achieve high revenue growth to 2027.

### **Leading companies and the potential for market growth**

Overall world revenue for Directed Energy Weapons (DEW) will reach \$5.34bn in 2017, our work calculates. We predict strong revenue growth through to 2027. Market entry of matured US defence programme products, investment from countries like India and Israel and increasing demand for laser technology will increase sales to 2027.

Our work identifies which organisations hold the greatest potential. Discover their capabilities, progress, and commercial prospects, helping you stay ahead.

- Azimuth Corporation
- BAE Systems plc
- Battelle
- The Boeing Company
- General Atomics
- General Dynamics Corporation
- Kratos Defense & Security Solutions
- Lockheed Martin Corporation
- MBDA
- Northrop Grumman Corporation
- Rafael Advanced Defense Systems Ltd
- Raytheon Company
- Rheinmetall AG

### **What issues will affect the Directed Energy Weapons (DEW) industry?**

Our new report discusses the issues and events affecting the Directed Energy Weapons (DEW) market. You will find discussions, including qualitative analyses:

- Value of discrete directed energy weaponry

- Fear of industry failure?
- Technological issues
- Scalable power levels and non-lethal applications

You will see discussions of technological, commercial, and economic matters, with emphasis on the competitive landscape and business outlooks.

### **How the Directed Energy Weapons (DEW) report helps you**

In summary, our 221 page report provides you with the following knowledge:

- Revenue forecasts to 2027 for the world Directed Energy Weapons (DEW) market and 2 submarkets – discover the industry’s prospects, finding the most lucrative places for investments and revenues
- Revenue forecasts to 2027 for the leading 9 national markets including RoW – Australia, Canada, Germany, India, Israel, Japan, UK, US, and ROW
- Further qualitative analysis of 2 national markets in the Rest of the World section: China and Russia
- Predicted revenues of 2 leading Directed Energy Weapons (DEW) submarkets to 2027 – see the potentials of top products
- Discussion of what stimulates and restrains companies and the market
- Prospects for established firms and those seeking to enter the market

You will find quantitative and qualitative analyses with independent predictions. You will receive information that only our report contains, staying informed with this invaluable business intelligence.

### **Information found nowhere else**

With our report you are less likely to fall behind in knowledge or miss opportunity. See how you could benefit your research, analyses, and decisions. Also see how you can save time and receive recognition for commercial insight.

Visiongain’s study is for everybody needing commercial analyses for the Directed Energy Weapons (DEW) market and leading companies. You will find data, trends and predictions.

This next bit is a bit boring but very revealing, its the last section almost there!

Table of Contents:

#### Directed Energy Weapons (DEW) Market Report 2017-2027

1. Report Overview
  - 1.1 Global Directed Energy Weapons (DEW) Market Overview
  - 1.2 Why You Should Read This Report
  - 1.3 How This Report Delivers
  - 1.4 Key Questions Answered by This Analytical Report Include:
  - 1.5 Who is This Report For?
  - 1.6 Methodology
    - 1.6.1 Primary Research
    - 1.6.2 Secondary Research
    - 1.6.3 Market Evaluation & Forecasting Methodology
  - 1.7 Frequently Asked Questions (FAQ)
  - 1.8 Associated visiongain Reports
  - 1.9 About visiongain
2. Introduction to the Directed Energy Weapons (DEW) Market
  - 2.1 Directed Energy Weapons (DEW) Market Structure

- 2.2 Directed Energy Weapons (DEW) Market Definition
- 2.3 Directed Energy Weapons (DEW) Submarkets Definition
  - 2.3.1 Directed Energy Weapons (DEW) High-Powered Microwave (HPM) Submarket Definition
  - 2.3.2 Directed Energy Weapons (DEW) High-Powered Laser (HPL) Submarket Definition
- 3. Global Directed Energy Weapons (DEW) Market 2017-2027
  - 3.1 Global Directed Energy Weapons (DEW) Market Forecast 2017-2027
  - 3.2 Global Directed Energy Weapons (DEW) Drivers & Restraints 2017
- 4. Global Directed Energy Weapons (DEW) Submarket Forecast 2017-2027
  - 4.1 Global Directed Energy Weapons (DEW) Microwave Forecast by National Market 2017-2027
    - 4.1.1 Delayed Growth in the Microwave DEW Submarket
  - 4.2 Global Directed Energy Weapons (DEW) Laser Forecast by National Market 2017-2027
    - 4.2.1 Strong Growth in the Emerging Laser DEW Submarket
- 5. Leading National Directed Energy Weapons (DEW) Market Forecast 2017-2027
  - 5.1 Global Directed Energy Weapons (DEW) Market by National Market Share Forecast 2017-2027
  - 5.2 Australia Directed Energy Weapons (DEW) Market Forecast 2017-2027
    - 5.2.1 Australia Directed Energy Weapons (DEW) Market Drivers & Restraints
    - 5.2.2 Security Issues Drive Steady Growth in the Australian Market
  - 5.3 Canada Directed Energy Weapons (DEW) Market Forecast 2017-2027
    - 5.3.1 Canada Directed Energy Weapons (DEW) Market Drivers & Restraints
    - 5.3.2 Lack of Domestic Expertise Slows Canadian Growth
  - 5.4 Germany Directed Energy Weapons (DEW) Market Forecast 2017-2027
    - 5.4.1 Germany Directed Energy Weapons (DEW) Market Example Contract / Programme 2016
    - 5.4.2 Germany Directed Energy Weapons (DEW) Market Drivers & Restraints
    - 5.4.3 Close Partnerships with Domestic Companies Will Drive Growth
  - 5.5 India Directed Energy Weapons (DEW) Market Forecast 2017-2027
    - 5.5.1 India Directed Energy Weapons (DEW) Market Example Contract / Programme 2014
    - 5.5.2 India Directed Energy Weapons (DEW) Market Drivers & Restraints
    - 5.5.3 Domestic Commitment to DEW Development Will Drive Spending
  - 5.6 Israel Directed Energy Weapons (DEW) Market Forecast 2017-2027
    - 5.6.1 Israel Directed Energy Weapons (DEW) Market Example Contract / Programme 2014
    - 5.6.2 Israel Directed Energy Weapons (DEW) Market Drivers & Restraints
    - 5.6.3 Existing Capabilities and New Threats Will Drive Spending
  - 5.7 Japan Directed Energy Weapons (DEW) Market Forecast 2017-2027
    - 5.7.1 Japan Directed Energy Weapons (DEW) Market Drivers & Restraints
    - 5.7.2 Laser DEW for Sea and Land Use Will Drive Spending
  - 5.8 United Kingdom Directed Energy Weapons (DEW) Market Forecast 2017-2027
    - 5.8.1 United Kingdom Directed Energy Weapons (DEW) Market Example Contract / Programme 2016
    - 5.8.2 United Kingdom Directed Energy Weapons (DEW) Market Drivers & Restraints
    - 5.8.3 Political Uncertainty Will Stymie Defence Spending
  - 5.9 United States Directed Energy Weapons (DEW) Market Forecast 2017-2027
    - 5.9.1 United States Directed Energy Weapons (DEW) Market Contracts & Programmes 2010-2016
    - 5.9.2 United States Directed Energy Weapons (DEW) Market Drivers & Restraints
    - 5.9.3 High Profile DEW Programmes Confirm US as Market Leader
  - 5.10 Rest of the World (ROW) Directed Energy Weapons (DEW) Market Forecast 2017-2027
  - 5.11 China Directed Energy Weapons (DEW) Market Analysis 2017-2027
    - 5.11.1 China Directed Energy Weapons (DEW) Market Drivers & Restraints
    - 5.11.2 Mounting Domestic Expertise Will Drive the Chinese Market
  - 5.12 Russia Directed Energy Weapons (DEW) Market Analysis 2017-2027
    - 5.12.1 Russia Directed Energy Weapons (DEW) Market Drivers & Restraints

- 5.12.2 Economic Issues May Stymie DEW Spending
- 5.13 Global Directed Energy Weapons (DEW) Market Barriers to Entry Analysis
  - 5.13.1 Global Directed Energy Weapons (DEW) Market Barriers to Entry Analysis
- 6. SWOT Analysis of the Directed Energy Weapons (DEW) Market 2017-2027
- 7. PEST Analysis of the Directed Energy Weapons (DEW) Market 2017-2027
- 8. Leading 13 Directed Energy Weapons (DEW) Companies
  - 8.1 Leading 13 Directed Energy Weapons (DEW) Companies 2017
  - 8.2 Azimuth Corporation
    - 8.2.1 Azimuth Corporation Directed Energy Weapons (DEW) Selected Recent Contracts / Projects / Programmes (Singular) 2015
    - 8.2.2 Azimuth Corporation Organisational Structure
    - 8.2.3 Azimuth Corporation Primary Market Competitors 2016
    - 8.2.4 Azimuth Corporation Analysis
    - 8.2.5 Azimuth Corporation Future Outlook
  - 8.3 BAE Systems plc
    - 8.3.1 BAE Systems plc Directed Energy Weapons (DEW) Selected Recent Contracts / Projects / Programmes 2013
    - 8.3.2 BAE Systems plc Total Company Sales 2010-2015
    - 8.3.3 BAE Systems plc Sales by Segment of Business 2010-2015
    - 8.3.4 BAE Systems plc Net Income 2010-2015
    - 8.3.5 BAE Systems plc Order Backlog 2010-2015
    - 8.3.6 BAE Systems plc Regional Emphasis / Focus
    - 8.3.7 BAE Systems plc Organisational Structure / Subsidiaries
    - 8.3.8 BAE Systems plc Directed Energy Weapons (DEW) Products / Services
    - 8.3.9 BAE Systems plc Primary Market Competitors
    - 8.3.10 BAE Systems plc Mergers & Acquisitions (M&A) Activity
    - 8.3.11 BAE Systems plc Analysis
    - 8.3.12 BAE Systems plc Future Outlook
  - 8.4 Battelle
    - 8.4.1 Battelle Directed Energy Weapons (DEW) Selected Recent Contracts / Projects / Programmes (Singular) 2016
    - 8.4.2 Battelle Regional Emphasis / Focus
    - 8.4.3 Battelle Organisational Structure / Subsidiaries
    - 8.4.4 Battelle Directed Energy Weapons (DEW) Products / Services
    - 8.4.5 Battelle Primary Market Competitors 2017
    - 8.4.6 Battelle Analysis
    - 8.4.7 Battelle Future Outlook
  - 8.5 The Boeing Company
    - 8.5.1 The Boeing Company Directed Energy Weapons (DEW) Selected Recent Contracts / Projects / Programmes (Singular) 2015
    - 8.5.2 The Boeing Company Total Company Sales 2010-2015
    - 8.5.3 The Boeing Company Sales by Segment of Business 2010-2015
    - 8.5.4 The Boeing Company Net Income 2010-2015
    - 8.5.5 The Boeing Company Order Backlog 2010-2015
    - 8.5.6 The Boeing Company Regional Emphasis / Focus
    - 8.5.7 The Boeing Company Organisational Structure / Subsidiaries
    - 8.5.8 The Boeing Company Directed Energy Weapons (DEW) Products / Services
    - 8.5.9 The Boeing Company Primary Market Competitors 2016
    - 8.5.10 The Boeing Company Mergers & Acquisitions (M&A) Activity
    - 8.5.11 The Boeing Company Analysis

- 8.5.12 The Boeing Company Future Outlook
- 8.6 General Atomics
  - 8.6.1 General Atomics Directed Energy Weapons (DEW) Selected Recent Contracts / Projects / Programmes (Singular) 2011
  - 8.6.2 General Atomics Organisational Structure
  - 8.6.3 General Atomics Directed Energy Weapons (DEW) Products / Services
  - 8.6.4 General Atomics Primary Market Competitors 2016
  - 8.6.5 General Atomics Acquisition Activity
  - 8.6.6 General Atomics Analysis
  - 8.6.7 General Atomics Future Outlook
- 8.7 General Dynamics Corporation
  - 8.7.1 General Dynamics Directed Energy Weapons (DEW) Selected Recent Contracts / Projects / Programmes 2010-2013
  - 8.7.2 General Dynamics Corporation Total Company Sales 2010-2015
  - 8.7.3 General Dynamics Corporation Sales by Segment of Business 2010-2015
  - 8.7.4 General Dynamics Corporation Net Income / Loss 2010-2015
  - 8.7.5 General Dynamics Corporation Order Backlog 2010-2015
  - 8.7.6 General Dynamics Corporation Regional Emphasis / Focus
  - 8.7.7 General Dynamics Corporation Organisational Structure
  - 8.7.8 General Dynamics Corporation Primary Market Competitors 2016
  - 8.7.9 General Dynamics Corporation Mergers & Acquisitions (M&A) Activity
  - 8.7.10 General Dynamics Corporation Analysis
  - 8.7.11 General Dynamics Corporation Future Outlook
- 8.8 Kratos Defense & Security Solutions
  - 8.8.1 Kratos Defense & Security Solutions Directed Energy Weapons (DEW) Selected Recent Contracts / Projects / Programmes (Singular) 2010
  - 8.8.2 Kratos Defense & Security Solutions Total Company Sales 2011-2015
  - 8.8.3 Kratos Defense & Security Solutions Sales by Segment of Business 2013-2015
  - 8.8.4 Kratos Defense & Security Solutions Net Income / Loss 2011-2015
  - 8.8.5 Kratos Defense & Security Solutions Regional Emphasis / Focus
  - 8.8.6 Kratos Defense & Security Solutions Organisational Structure
  - 8.8.7 Kratos Defense & Security Solutions Directed Energy Weapons (DEW) Products / Services
  - 8.8.8 Kratos Defense & Security Solutions Primary Market Competitors 2016
  - 8.8.9 Kratos Defense & Security Solutions Merger Activity
  - 8.8.10 Kratos Defense & Security Solutions Analysis
  - 8.8.11 Kratos Defense & Security Solutions Future Outlook
- 8.9 Lockheed Martin Corporation
  - 8.9.1 Lockheed Martin Corporation Directed Energy Weapons (DEW) Selected Recent Contracts / Projects / Programmes
  - 8.9.2 Lockheed Martin Corporation Total Company Sales 2010-2015
  - 8.9.3 Lockheed Martin Corporation Sales by Segment of Business 2010-2015
  - 8.9.4 Lockheed Martin Corporation Net Income 2010-2015
  - 8.9.5 Lockheed Martin Corporation Order Backlog 2010-2015
  - 8.9.6 Lockheed Martin Corporation Regional Emphasis / Focus
  - 8.9.7 Lockheed Martin Corporation Organisational Structure
  - 8.9.8 Lockheed Martin Corporation Directed Energy Weapons (DEW) Products / Services
  - 8.9.9 Lockheed Martin Corporation Primary Market Competitors 2016
  - 8.9.10 Lockheed Martin Corporation Mergers & Acquisitions (M&A) Activity
  - 8.9.11 Lockheed Martin Corporation Analysis
  - 8.9.12 Lockheed Martin Corporation Future Outlook
- 8.10 MBDA
  - 8.10.1 MBDA Directed Energy Weapons (DEW) Selected Recent Contracts / Projects / Programmes (Singular) 2016

- 8.10.2 MBDA Regional Emphasis / Focus
- 8.10.3 MBDA Organisational Structure / Subsidiaries
- 8.10.4 MBDA Directed Energy Weapons (DEW) Products / Services
- 8.10.5 MBDA Primary Market Competitors 2017
- 8.10.6 MBDA Mergers & Acquisitions (M&A) Activity
- 8.10.7 MBDA Analysis
- 8.10.8 MBDA Future Outlook
- 8.11 Northrop Grumman Corporation
  - 8.11.1 Northrop Grumman Corporation Directed Energy Weapons (DEW) Selected Recent Contracts / Projects / Programmes (Singular)
  - 8.11.2 Northrop Grumman Corporation Total Company Sales 2010-2015
  - 8.11.3 Northrop Grumman Corporation Sales by Segment of Business 2010-2015
  - 8.11.4 Northrop Grumman Corporation Net Income 2010-2015
  - 8.11.5 Northrop Grumman Corporation Order Backlog 2010-2015
  - 8.11.6 Northrop Grumman Corporation Regional Emphasis
  - 8.11.7 Northrop Grumman Corporation Organisational Structure
  - 8.11.8 Northrop Grumman Corporation Directed Energy Weapons (DEW) Products / Services
  - 8.11.9 Northrop Grumman Corporation Primary Market Competitors 2016
  - 8.11.10 Northrop Grumman Corporation Mergers & Acquisitions (M&A) Activity
  - 8.11.11 Northrop Grumman Corporation Analysis
  - 8.11.12 Northrop Grumman Corporation Future Outlook
- 8.12 Rafael Advanced Defense Systems Ltd
  - 8.12.1 Rafael Advanced Defense Systems Ltd. Directed Energy Weapons (DEW) Selected Recent Contracts / Projects / Programmes (Singular) 2014
  - 8.12.2 Rafael Advanced Defense Systems Ltd. Total Company Sales 2010-2015
  - 8.12.3 Rafael Advanced Defense Systems Ltd. Net Income 2010-2015
  - 8.12.4 Rafael Advanced Defense Systems Ltd Order Backlog 2010-2015
  - 8.12.5 Rafael Advanced Defense Systems Ltd. Regional Emphasis / Focus
  - 8.12.6 Rafael Advanced Defense Systems Ltd. Organisational Structure
  - 8.12.7 Rafael Advanced Defense Systems Ltd. Directed Energy Weapons (DEW) Products / Services
  - 8.12.8 Rafael Advanced Defense Systems Ltd. Primary Market Competitors
  - 8.12.9 Rafael Advanced Defense Systems Ltd. Mergers & Acquisitions (M&A) Activity
  - 8.12.10 Rafael Advanced Defense Systems Ltd. Analysis
  - 8.12.11 Rafael Advanced Defense Systems Ltd. Future Outlook
- 8.13 Raytheon Company
  - 8.13.1 Raytheon Company Total Company Sales 2010-2015
  - 8.13.2 Raytheon Company Sales by Segment of Business 2011-2015
  - 8.13.3 Raytheon Company Net Income 2010-2015
  - 8.13.4 Raytheon Company Order Backlog 2010-2015
  - 8.13.5 Raytheon Company Regional Emphasis
  - 8.13.6 Raytheon Company Organisational Structure
  - 8.13.7 Raytheon Company Directed Energy Weapons (DEW) Products / Services
  - 8.13.8 Raytheon Company Primary Market Competitors 2016
  - 8.13.9 Raytheon Company Mergers & Acquisitions (M&A) Activity
  - 8.13.10 Raytheon Company Analysis
  - 8.13.11 Raytheon Company Future Outlook
- 8.14 Rheinmetall AG
  - 8.14.1 Rheinmetall AG Directed Energy Weapons (DEW) Selected Recent Contracts / Projects / Programmes (Singular) 2016
  - 8.14.2 Rheinmetall AG Total Company Sales 2010-2015
  - 8.14.3 Rheinmetall AG Sales by Segment of Business 2010-2015
  - 8.14.4 Rheinmetall AG Net Income / Loss 2010-2015

- 8.14.5 Rheinmetall AG Order Backlog 2010-2015
- 8.14.6 Rheinmetall AG Regional Emphasis / Focus
- 8.14.7 Rheinmetall AG Organisational Structure
- 8.14.8 Rheinmetall AG Directed Energy Weapons (DEW) Products / Services
- 8.14.9 Rheinmetall AG Primary Market Competitors 2017
- 8.14.10 Rheinmetall AG Mergers & Acquisitions (M&A) Activity
- 8.14.11 Rheinmetall AG Analysis
- 8.14.12 Rheinmetall AG Future Outlook
- 8.15 Other Companies Involved in the Directed Energy Weapons (DEW) Market 2016

## 9. Conclusions and Recommendations

## 10. Glossary

### List of Tables

- Table 1.1 Example of Directed Energy Weapons (DEW) Market by National Market Forecast 2017-2027 (US\$m, AGR %, Cumulative)
- Table 1.2 Example of Leading National Directed Energy Weapons (DEW) Market Forecast by Submarket 2017-2027 (US\$m, AGR %, Cumulative)
- Table 3.1 Global Directed Energy Weapons (DEW) Market Forecast 2017-2027 (US\$m, AGR %, CAGR %, Cumulative)
- Table 3.2 Global Directed Energy Weapons (DEW) Market Drivers & Restraints 2017
- Table 4.1 Global Directed Energy Weapons (DEW) Submarket Forecast 2017-2027 (US\$m, AGR %, Cumulative)
- Table 4.2 Global Directed Energy Weapons (DEW) Submarket by National Market Forecast 2017-2027 (US\$m, Cumulative, Global AGR %)
- Table 4.3 Global Directed Energy Weapons (DEW) Submarket CAGR Forecast 2017-2022, 2022-2027, 2017-2027 (CAGR %)
- Table 4.4 Global Directed Energy Weapons (DEW) Submarket Percentage Change in Market Share 2017-2022, 2022-2027, 2017-2027 (% Change)
- Table 4.5 Global Directed Energy Weapons (DEW) Microwave Submarket by National Market Forecast 2017-2027 (US\$m, AGR %, CAGR %, Cumulative)
- Table 4.6 Global Directed Energy Weapons (DEW) Laser Submarket by National Market Forecast 2017-2027 (US\$m, AGR %, CAGR %, Cumulative)
- Table 5.1 Leading National Directed Energy Weapons (DEW) Market Forecast 2017-2027 (US\$m, AGR %, Cumulative)
- Table 5.2 Global Directed Energy Weapons (DEW) Submarket by National Market CAGR Forecast 2017-2022, 2022-2027, 2017-2027 (CAGR %)
- Table 5.3 National Directed Energy Weapons (DEW) Market Percentage Change in Market Share 2017-2022, 2022-2027, 2017-2027 (% Change)
- Table 5.4 Australia Directed Energy Weapons (DEW) Market by Submarkets Forecast 2017-2027 (US\$m, AGR %, CAGR %, Cumulative)
- Table 5.5 Australia Directed Energy Weapons (DEW) Market Drivers & Restraints 2016
- Table 5.6 Canada Directed Energy Weapons (DEW) Market by Submarkets Forecast 2017-2027 (US\$m, AGR %, CAGR %, Cumulative)
- Table 5.7 Canada Directed Energy Weapons (DEW) Market Drivers & Restraints 2016
- Table 5.8 Germany Directed Energy Weapons (DEW) Market by Submarkets Forecast 2017-2027 (US\$m, AGR %, CAGR %, Cumulative)
- Table 5.9 Germany Directed Energy Weapons (DEW) Market Example Contract / Programme 2016 (Date, Company, Product, Details)
- Table 5.10 Germany Directed Energy Weapons (DEW) Market Drivers & Restraints 2016
- Table 5.11 India Directed Energy Weapons (DEW) Market by Submarkets Forecast 2017-2027 (US\$m, AGR %, CAGR %, Cumulative)
- Table 5.12 India Directed Energy Weapons (DEW) Market Example Contract / Programme 2014 (Date, Value US\$m, Product, Details)
- Table 5.13 India Directed Energy Weapons (DEW) Market Drivers & Restraints 2016
- Table 5.14 Israel Directed Energy Weapons (DEW) Market by Submarkets Forecast 2017-2027 (US\$m, AGR %, CAGR %, Cumulative)
- Table 5.15 Israel Directed Energy Weapons (DEW) Market Example Contract / Programme 2014 (Date, Company, Product, Details)
- Table 5.16 Israel Directed Energy Weapons (DEW) Market Drivers & Restraints 2016
- Table 5.17 Japan Directed Energy Weapons (DEW) Market by Submarkets Forecast 2017-2027 (US\$m, AGR %, CAGR %, Cumulative)

Table 5.18 Japan Directed Energy Weapons (DEW) Market Drivers & Restraints 2016

Table 5.19 United Kingdom Directed Energy Weapons (DEW) Market by Submarkets Forecast 2017-2027 (US\$m, AGR %, CAGR %, Cumulative)

Table 5.20 United Kingdom Directed Energy Weapons (DEW) Market Example Contract / Programme 2016 (Date, Company, Value US\$m, Product, Details)

Table 5.21 United Kingdom Directed Energy Weapons (DEW) Market Drivers & Restraints 2016

Table 5.22 United States Directed Energy Weapons (DEW) Market by Submarkets Forecast 2017-2027 (US\$m, AGR %, CAGR %, Cumulative)

Table 5.23 United States Directed Energy Weapons (DEW) Market Major Contracts & Programmes 2010-2016 (Date, Company, Value US\$m, Product, Details)

Table 5.24 United States Directed Energy Weapons (DEW) Market Drivers & Restraints 2016

Table 5.25 Rest of the World (ROW) Directed Energy Weapons (DEW) Market by Submarkets Forecast 2017-2027 (US\$m, AGR %, CAGR %, Cumulative)

Table 5.26 China Directed Energy Weapons (DEW) Market Drivers & Restraints 2016

Table 5.27 Russia Directed Energy Weapons (DEW) Market Drivers & Restraints 2016

Table 6.1 Global Directed Energy Weapons (DEW) Market SWOT Analysis 2017-2027

Table 7.1 Global Directed Energy Weapons (DEW) Market PEST Analysis 2017-2027

Table 8.1 Leading 13 Directed Energy Weapons (DEW) Companies Sales 2017 (Company, FY2015 Total Company Sales US\$m, Primary Submarket Specialisation)

Table 8.2 Azimuth Corporation Profile 2016 (CEO, Submarket Involvement, HQ, Founded, No. of Employees, IR Contact, Website)

Table 8.3 Selected Recent Azimuth Corporation Directed Energy Weapons (DEW) Contracts / Projects / Programmes (Singular) 2015 (Date, Country, Value US\$m, Product, Details)

Table 8.4 BAE Systems plc Profile 2016 (CEO, Total Company Sales US\$m, Net Income US\$m, Strongest Business Region, Business Segment in the Market, Submarket Involvement, HQ, Founded, No. of Employees, IR Contact, Ticker, Website)

Table 8.5 Selected Recent BAE Systems plc Directed Energy Weapons (DEW) Contracts / Projects / Programmes 2013 (Date, Country, Value US\$m, Product, Details)

Table 8.6 BAE Systems plc Total Company Sales 2010-2015 (US\$m, AGR %)

Table 8.7 BAE Systems plc Sales by Business Segment 2010-2015 (US\$m, AGR %)

Table 8.8 BAE Systems plc Net Income 2010-2015 (US\$m, AGR %)

Table 8.9 BAE Systems plc Order Backlog 2010-2015 (US\$m, AGR %)

Table 8.10 BAE Systems plc Sales by Geographical Location 2010-2014 (US\$m, AGR %)

Table 8.11 BAE Systems plc Subsidiaries (Subsidiary, Location)

Table 8.12 BAE Systems plc Directed Energy Weapons (DEW) Products / Services (Segment of Business, Product, Specification / Features)

Table 8.13 BAE Systems plc Mergers and Acquisitions 2010-2014 (Date, Company Involved, Value US\$m, Details)

Table 8.14 BAE Systems plc Divestitures 2011-2015 (Date, Company Involved, Value US\$m, Details)

Table 8.15 Battelle Profile 2017 (CEO, Business Segment in the Market, Submarket Involvement, HQ, Founded, No. of Employees, IR Contact, Website)

Table 8.16 Selected Recent Battelle Directed Energy Weapons (DEW) Contracts / Projects / Programmes (Singular) 2016 (Date, Country, Value US\$m, Product, Details)

Table 8.17 Battelle Subsidiaries 2016 (Subsidiary, Location)

Table 8.18 Battelle Directed Energy Weapons (DEW) Products / Services (Segment of Business, Product, Specification / Features)

Table 8.19 The Boeing Company Overview 2016 (CEO, Total Company Sales US\$m, Net Income US\$m, Strongest Business Region, Business Segment in the Market, Submarket Involvement, HQ, Founded, No. of Employees, IR Contact, Ticker, Website)

Table 8.20 Selected Recent The Boeing Company Directed Energy Weapons (DEW) Contracts / Projects / Programmes (Singular) 2015 (Date, Country, Value US\$m, Product, Details)

Table 8.21 The Boeing Company Total Company Sales 2010-2015 (US\$m, AGR %)

Table 8.22 The Boeing Company Sales by Business Segment 2010-2015 (US\$m, AGR %)

Table 8.23 The Boeing Company Net Income 2010-2015 (US\$m, AGR %)

Table 8.24 The Boeing Company Order Backlog 2010-2015 (US\$m, AGR %)

Table 8.25 The Boeing Company Sales by Geographical Location 2010-2015 (US\$m, AGR %)

Table 8.26 The Boeing Company Subsidiaries (Subsidiary, Location)

Table 8.27 The Boeing Company Directed Energy Weapons (DEW) Products / Services (Segment of Business, Product, Specification / Features)

Table 8.28 The Boeing Company Mergers and Acquisitions 2008-2014 (Date, Company Involved, Value US\$m, Details)

Table 8.29 The Boeing Company Divestiture 2015 (Date, Company Involved, Details)

Table 8.30 General Atomics Profile 2016 (CEO, Business Segment in the Market, Submarket Involvement, HQ, Founded, IR Contact, Website)

Table 8.31 Selected Recent General Atomics Directed Energy Weapons (DEW) Contracts / Projects / Programmes

(Singular) 2011 (Date, Country, Product, Details)

Table 8.32 General Atomics Directed Energy Weapons (DEW) Products / Services (Segment of Business, Product, Specification / Features)

Table 8.33 General Atomics Acquisition 2016 (Date, Company Involved, Value US\$m, Details)

Table 8.34 General Dynamics Corporation Profile 2016 (CEO, Total Company Sales US\$m, Net Income US\$m, Strongest Business Region, Business Segment in the Market, Submarket Involvement, HQ, Founded, No. of Employees, IR Contact, Ticker, Website)

Table 8.35 Selected Recent General Dynamics Directed Energy Weapons (DEW) Contracts / Projects / Programmes 2010-2013 (Date, Country, Value (US\$m), Product, Details)

Table 8.36 General Dynamics Corporation Total Company Sales 2010-2015 (US\$m, AGR %)

Table 8.37 General Dynamics Corporation Sales by Segment of Business 2010-2015 (US\$m, AGR %)

Table 8.38 General Dynamics Corporation Net Income / Loss 2010-2015 (US\$m )

Table 8.39 General Dynamics Corporation Order Backlog 2010-2015 (US\$m, AGR %)

Table 8.40 General Dynamics Corporation Sales by Geographical Location 2012-2015 (US\$m, AGR %)

Table 8.41 General Dynamics Corporation Mergers and Acquisitions 2011-2012 (Date, Company Involved, Details)

Table 8.42 Kratos Defense & Security Solutions Profile 2017 (CEO, Total Company Sales US\$m, Net Income US\$m, Strongest Business Region, Business Segment in the Market, Submarket Involvement, HQ, No. of Employees, IR Contact, Ticker, Website)

Table 8.43 Selected Recent Kratos Defense & Security Solutions Directed Energy Weapons (DEW) Contracts / Projects / Programmes (Singular) 2010 (Date, Country, Value US\$m, Product, Details)

Table 8.44 Kratos Defense & Security Solutions Total Company Sales 2011-2015 (US\$m, AGR %)

Table 8.45 Kratos Defense & Security Solutions Sales by Segment of Business 2013-2015 (US\$m, AGR %)

Table 8.46 Kratos Defense & Security Solutions Net Income / Loss 2011-2015 (US\$m)

Table 8.47 Kratos Defense & Security Solutions Sales by Geographical Location 2013-2015 (US\$m, AGR %)

Table 8.48 Kratos Defense & Security Solutions Directed Energy Weapons (DEW) Products / Services (Segment of Business, Product, Specification / Features)

Table 8.49 Kratos Defense & Security Solutions Mergers 2011 (Date, Details)

Table 8.50 Lockheed Martin Corporation Profile 2016 (CEO, Total Company Sales US\$m, Net Income (US\$m), Strongest Business Region, Business Segment in the Market, Submarket Involvement, HQ, Founded, No. of Employees, IR Contact, Ticker, Website)

Table 8.51 Selected Recent Lockheed Martin Corporation Directed Energy Weapons (DEW) Contracts / Projects / Programmes (Country, Product, Details)

Table 8.52 Lockheed Martin Corporation Total Company Sales 2010-2015 (US\$m, AGR %)

Table 8.53 Lockheed Martin Corporation Sales by Business Segment 2010-2015 (US\$m, AGR %)

Table 8.54 Lockheed Martin Corporation Net Income 2010-2015 (US\$m, AGR %)

Table 8.55 Lockheed Martin Corporation Order Backlog 2010-2015 (US\$m, AGR %)

Table 8.56 Lockheed Martin Corporation Sales by Geographical Location 2010-2015 (US\$m, AGR %)

Table 8.57 Lockheed Martin Corporation Directed Energy Weapons (DEW) Products / Services (Product, Specification / Features)

Table 8.58 Lockheed Martin Corporation Mergers and Acquisitions 2014-2015 (Date, Company Involved, Value US\$m, Details)

Table 8.59 Lockheed Martin Corporation Divestitures 2010-2011 (Date, Company Involved, Value US\$m, Details)

Table 8.60 MBDA Profile 2017 (CEO, Total Company Sales US\$m, Submarket Involvement, HQ, Founded, No. of Employees, IR Contact, Website)

Table 8.61 Selected Recent MBDA Directed Energy Weapons (DEW) Contracts / Projects / Programmes (Singular) 2016 (Date, Country, Value US\$m, Product, Details)

Table 8.62 MBDA Subsidiaries 2017 (Subsidiary, Location)

Table 8.63 MBDA Directed Energy Weapons (DEW) Products / Services (Product, Specification / Features)

Table 8.64 MBDA Mergers and Acquisitions (Date, Company Involved, Details)

Table 8.65 Northrop Grumman Corporation Profile 2016 (CEO, Total Company Sales US\$m, Net Income US\$m, Order Backlog US\$m, Strongest Business Region, Business Segment in the Market, Submarket Involvement, HQ, Founded, No. of Employees, IR Contact, Ticker, Website)

Table 8.66 Selected Recent Northrop Grumman Corporation Directed Energy Weapons (DEW) Contracts / Projects / Programmes (Singular) (Country, Product, Details)

Table 8.67 Northrop Grumman Corporation Total Company Sales 2010-2015 (US\$m, AGR %)

Table 8.68 Northrop Grumman Corporation Sales by Segment of Business 2010-2015 (US\$m, AGR %)

Table 8.69 Northrop Grumman Corporation Net Income 2010-2015 (US\$m, AGR %)

Table 8.70 Northrop Grumman Corporation Order Backlog 2010-2015 (US\$m, AGR %)

Table 8.71 Northrop Grumman Corporation Sales by Geographical Location 2011-2015 (US\$m, AGR %)

Table 8.72 Northrop Grumman Corporation Directed Energy Weapons (DEW) Products / Services (Product, Specification / Features)

Table 8.73 Northrop Grumman Corporation Mergers and Acquisitions 2012-2014 (Date, Company Involved, Value US\$m, Details)

Table 8.74 Rafael Advanced Defense Systems Ltd Profile 2017 (CEO, Total Company Sales US\$m, Net Income US\$m, Strongest Business Region, Business Segment in the Market, Submarket Involvement, HQ, Founded, No. of Employees, IR Contact, Website)

Table 8.75 Selected Recent Rafael Advanced Defense Systems Ltd. Energy Weapons (DEW) Contracts / Projects / Programmes (Singular) 2014 (Date, Company, Product, Details)

Table 8.76 Rafael Advanced Defense Systems Ltd. Total Company Sales 2010-2015 (US\$m, AGR %)

Table 8.77 Rafael Advanced Defense Systems Ltd. Net Income 2010-2015 (US\$m, AGR %)

Table 8.78 Rafael Advanced Defense Systems Ltd Order Backlog 2010-2015 (US\$m, AGR %)

Table 8.79 Rafael Advanced Defense Systems Ltd. Sales by Geographical Location 2006-2012 (US\$m, AGR %)

Table 8.80 Rafael Advanced Defense Systems Ltd. Directed Energy Weapons (DEW) Products / Services (Segment of Business, Product, Specification / Features)

Table 8.81 Rafael Advanced Defense Systems Ltd. Mergers and Acquisitions 2008-2013 (Date, Company Involved, Details)

Table 8.82 Raytheon Company Profile 2016 (CEO, Total Company Sales US\$m, Net Income US\$m, Order Backlog US\$m, Strongest Business Region, Business Segment in the Market, Submarket Involvement, HQ, Founded, No. of Employees, IR Contact, Ticker, Website)

Table 8.83 Raytheon Company Total Company Sales 2010-2015 (US\$m, AGR %)

Table 8.84 Raytheon Company Sales by Segment of Business 2011-2015 (US\$m, AGR %)

Table 8.85 Raytheon Company Net Income 2010-2015 (US\$m, AGR %)

Table 8.86 Raytheon Company Order Backlog 2010-2015 (US\$m, AGR %)

Table 8.87 Raytheon Company Sales by Geographical Location 2010-2015 (US\$m, AGR %)

Table 8.88 Raytheon Company Directed Energy Weapons (DEW) Products / Services (Product, Specification / Features)

Table 8.89 Raytheon Company Mergers and Acquisitions 2012-2015 (Date, Company Involved, Value US\$m, Details)

Table 8.90 Raytheon Company Divestitures 2014 (Date, Details)

Table 8.91 Rheinmetall AG Profile 2017 (CEO, Total Company Sales US\$m, Net Income US\$m, Strongest Business Region, Business Segment in the Market, Submarket Involvement, HQ, Founded, No. of Employees, IR Contact, Ticker, Website)

Table 8.92 Selected Recent Rheinmetall AG Directed Energy Weapons (DEW) Contracts / Projects / Programmes (Singular) 2016 (Date, Country, Product, Details)

Table 8.93 Rheinmetall AG Total Company Sales 2010-2015 (US\$m, AGR %)

Table 8.94 Rheinmetall AG Sales by Segment of Business 2010-2015 (US\$m, AGR %)

Table 8.95 Rheinmetall AG Net Income / Loss 2010-2015 (US\$m, AGR %)

Table 8.96 Rheinmetall AG Order Backlog 2010-2015 (US\$m, AGR %)

Table 8.97 Rheinmetall AG Sales by Geographical Location 2010-2015 (US\$m, AGR %)

Table 8.98 Rheinmetall AG Directed Energy Weapons (DEW) Products / Services (Segment of Business, Product, Specification / Features)

Table 8.99 Rheinmetall AG Mergers and Acquisitions (Date, Company Involved, Details)

Table 8.100 Other Companies Involved in the Directed Energy Weapons (DEW) Market 2016 (Company, Submarket Involvement, Location)

## **How to make Direct Energy Weapons**

There are two examples of how to make your own DEW at the bottom of this web page:  
[http://targeted-individuals.co.uk/targeted\\_individuals\\_association\\_video\\_channel.html](http://targeted-individuals.co.uk/targeted_individuals_association_video_channel.html)

On this web page you can see how easy it is to make DEW weapons:

<https://fear-of-lightning.wonderhowto.com/how-to/making-electromagnetic-weapons-directed-microwave-energy-0133231/>

## **So what's the next step?**

All governments are planning big and all are using DEW system against their own citizens, this is a crime and allows the citizens to take action, if there is no law and order and no justice there will of course be anarchy. The aim at the TIA is to head this off and force governments and security services to come clean and pay up to the Targeted People.

In the short term the Targeted Individuals Association will be making demonstration weapons for court. We understand already how to build these devices.

We need to be able to make these devices because in the near future, what is currently being used as a torture device to Targeted Individuals will become a commonplace in society as the usage is vast, as you can see in the commercial report above.

The use of DEW, Direct Energy Weapons without the permission of the person its being used on is already illegal. It must be enforced for the new technology to flower. The way its being carried out in Gang Stalking harms a person and can kill and cause cancers and many other conditions. I have scientific papers that support this and Dr John Hall is advising us as to the way forward.

So it is an assault on the person, attempted murder are the charges that the Targeted Individuals Association are bringing against all suspects of DEW Gang Stalking, which in most cases is being done locally by people that are conned into it and are told its not illegal. We know the masons started Gang Stalking, starting out originally as Ring Fencing, where they used local criminals and drug dealers to Target people that they fell out with or had a disagreement with or they wanted to steal their business.

This is now out of control big business with drug Mafia's involved like in my case, run by the Freemasons who stole my business and did exactly the same to me what they did to Julian Assange, made up a false case to ruin my life because they stole my business worth 4 billion pounds.

The first person who told me about Gang Stalking was a senior Mason, he objected to being involved in the Gang Stalking of others, and became a Targeted Individual because of it, I first knew him as Stan Cumons which turned out to be an anagram of Mason Cunts!

He told me how they had bugged his phone stole all his business, talked to all his neighbours with false stories, see Gang Stalking on the TIA website for in-depth details of the process.  
[www.targeted-individuals.co.uk/gang\\_stalking.html](http://www.targeted-individuals.co.uk/gang_stalking.html)

Its an abuse of microwave emission law and radiation emission laws already in the EU to use DEW. We are in contact with all the people who invented the devices and people who have used them in the field from the security agencies and these people will be giving evidence at our first class action to get to the bottom of it. We may be teaming up with other groups also in a combined effort.



They target anyone who is smart, im talking about free thinking intelligence, like a musician, artist, scientist, inventors and just about anyone that speaks out about them.

The Masons through years of Ring-Fencing and Gang Stalking people using low level criminals, over time this got picked up, higher up the food chain, and now its big business for the Mafia's of this world. Recently, as in my case, the British Drug Mafia who in Spain are run from Masons lodges down to street guys. The Masons run the drugs trade world wide using the security services that are all masons, and no longer represent the people.

If your a Targeted Individual join the Association and talk with us, you may be able to join our legal action against every government and security service in the world, the Masons, and others who have been identified such as NATO & the UN. All these organisations and governments need reining in!

They are out of control unregulated lunatics on a false crusade to target anyone who opposes them or their establishment backers. We can now build the device and demonstrate it in court so its all over! Its just a question of when they are arrested!

Don't assume that politicians and others know, the security services hide the truth, they will have so many legal cases to face soon they will have to sell the countries they live in to pay the bill. Join the Targeted Individuals Association and help us change the world. One World One Community! [www.targeted-individuals.co.uk](http://www.targeted-individuals.co.uk)

Join The TIA

### **Sources:**

Thanks to Dr Barrie Trower MI6, Robert Duncan CIA, Dr John Hall. Who have all spoken to me and contributed information leading to the understanding needed to put the technology together. We can now build the device and demonstrate it in court.

USA Navy Science Division

<https://www.onr.navy.mil/en/Media-Center/Fact-Sheets/Counter-Directed-Energy-Weapons>

British Royal Navy Dragonfire DEW Weapon

<https://ukdefencejournal.org.uk/dragonfire-new-british-laser-weapon/>

Military Demonstration Of the DEW Weapons

[https://www.youtube.com/watch?v=tR\\_pjzW98dM](https://www.youtube.com/watch?v=tR_pjzW98dM)

Aviation Week DEW

[http://aviationweek.com/AdvancedWeapons#slide-10-field\\_images-1341101](http://aviationweek.com/AdvancedWeapons#slide-10-field_images-1341101)

Wiki DEW, Check out the links to DARPA etc

[https://en.wikipedia.org/wiki/Directed-energy\\_weapon#Microwave\\_weapons](https://en.wikipedia.org/wiki/Directed-energy_weapon#Microwave_weapons)

Global Security

<http://www.globalsecurity.org/military/library/policy/army/fm/71-1/711apxlf.htm>

Air Force Times

<https://www.airforcetimes.com/articles/air-force-has-directed-energy-weapons-now-comes-the-hard-part>

Directed Energy Weapons (DEW) Market Report 2017-2027

<http://www.reportlinker.com/p04595329/Directed-Energy-Weapons-DEW-Market-Report.html>

## **DEW (Direct Energy Weapons) 28/03/2017**

Targeted Individuals Association – Author: Gary Owens

Mr Gary Owens wrote the collated article and broke down the technology, we used every available source over the internet to collate and compile every piece of information out there that was needed to break down the technology, we have listed the sources of information at the bottom, if anyone's been left out let us know and we will amend.



# TARGETED INDIVIDUALS ASSOCIATION

**Together Our Voices  
Will Be Heard!**

**We are lobbying every  
Government in the world to ban V2K  
(Voice to Skull), Gang Stalking, DEW  
(Direct Energy Weapons) & Mind Control!**

**If your a Targeted Individual, you need to join with us, together we will Beat this!  
We are united in the fight, The T I A will take the fight To their doorstep, help us end it now!**

[www.targeted-individuals.co.uk](http://www.targeted-individuals.co.uk)